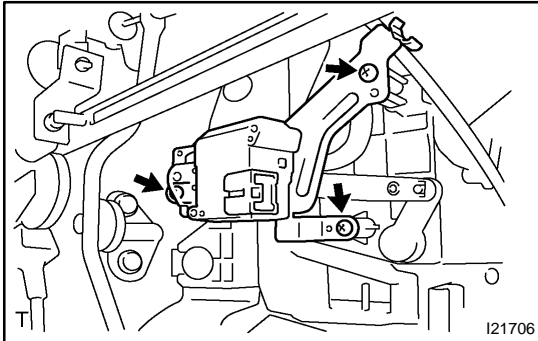


AIR OUTLET SERVOMOTOR INSPECTION

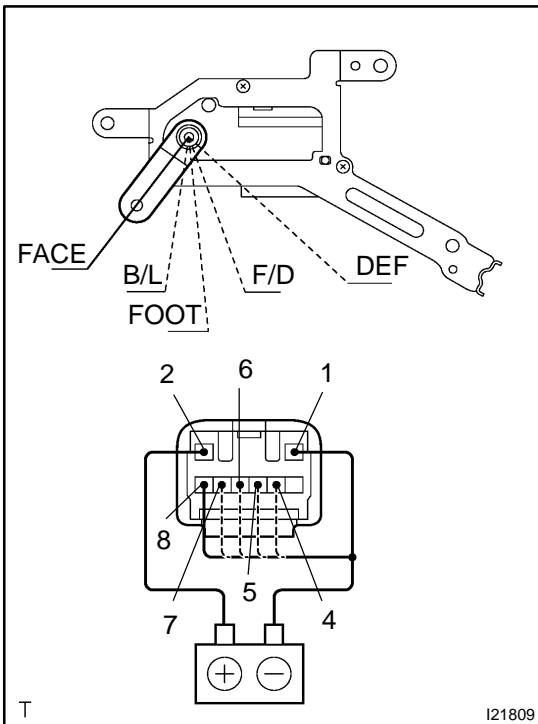
AC3FH-01

1. REMOVE LOWER LH FINISH PANEL (See page [BO-52](#))



2. REMOVE AIR OUTLET SERVOMOTOR

- (a) Disconnect the servomotor connector.
- (b) Remove the 3 screws and servomotor.



3. INSPECT AIR OUTLET SERVOMOTOR

Inspect servomotor operation.

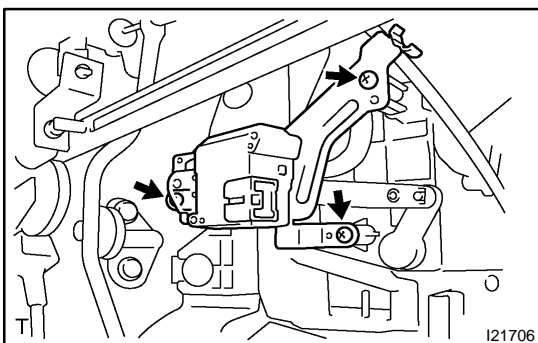
- (1) Connect the positive (+) lead from the battery to terminal 2 and negative (-) lead to terminal 1.
- (2) Check the lever operation when the negative (-) lead is connected to the terminals shown below.

HINT:

The lever moves smoothly to the position for each mode.

Ground Terminals	mode
8	DEF.
7	FOOT/DEF
6	FOOT
5	B/L
4	FACE

If operations are not as specified, replace the servomotor.



4. INSTALL AIR OUTLET SERVOMOTOR

- (a) Install the servomotor with the 3 screws.
- (b) Connect the servomotor connector.

5. INSTALL LOWER LH FINISH PANEL (See page [BO-55](#))