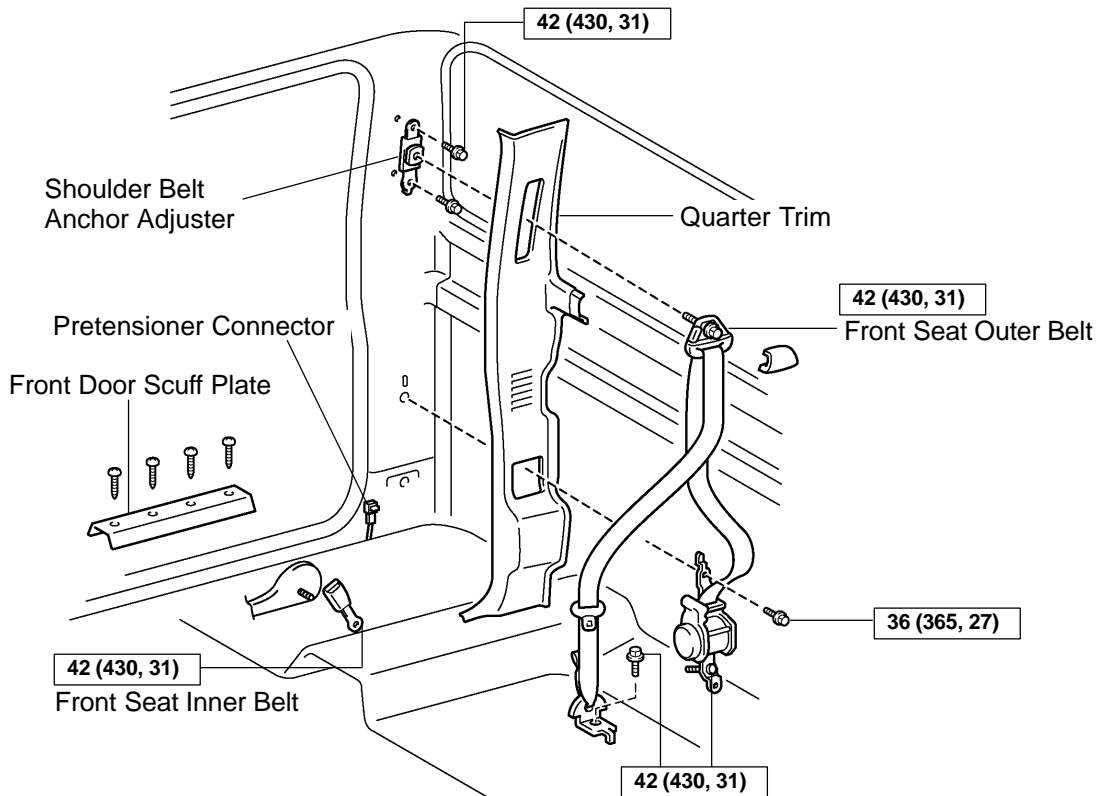


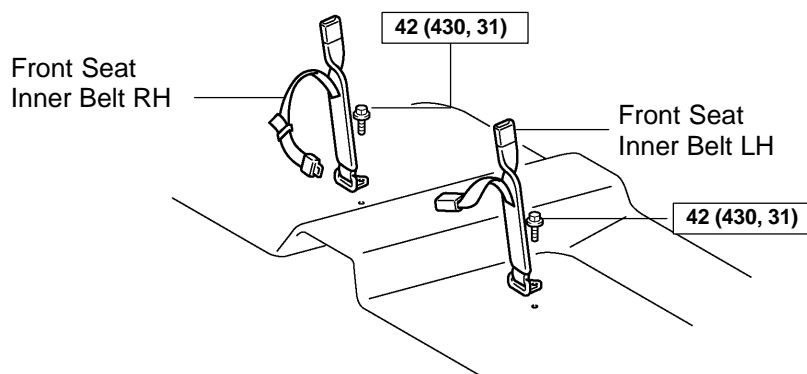
SEAT BELT COMPONENTS

BO42M-01

Separate Seat for Regular Cab:



Inner Belt for Bench Seat:

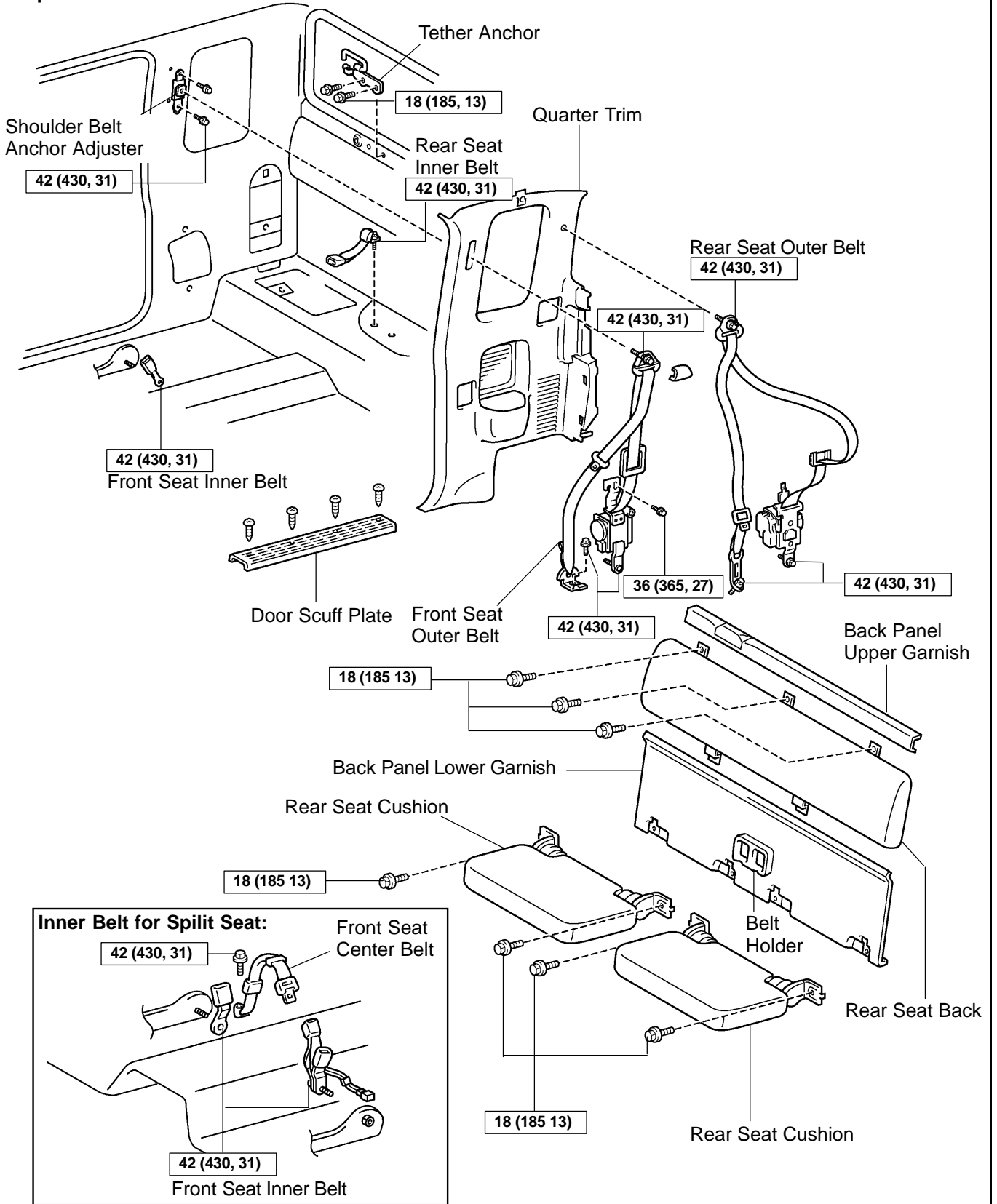


T

N·m (kgf·cm, ft·lbf) : Specified torque

H17585

Separate Seat for Extra cab:

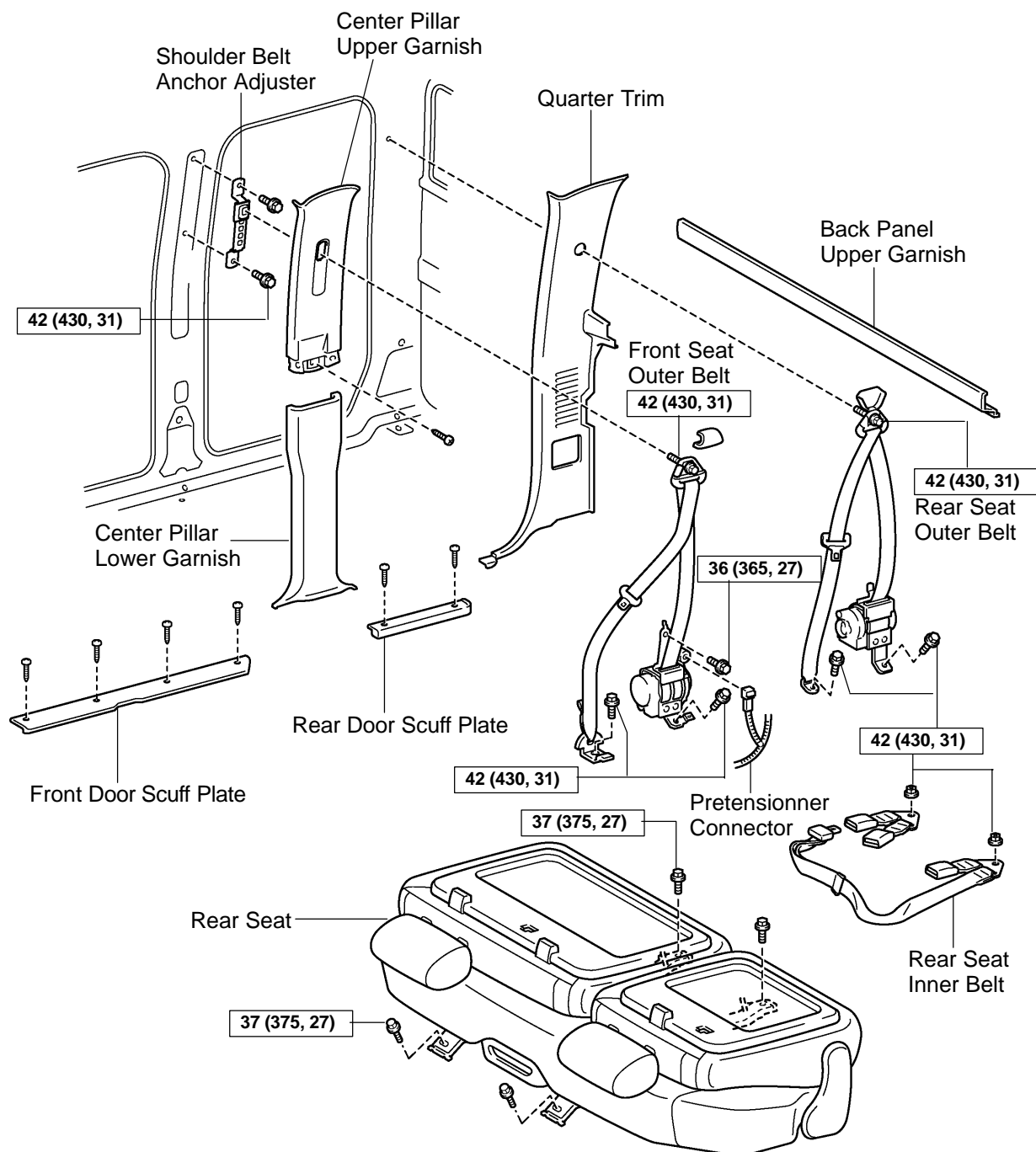


T

N·m (kgf·cm, ft·lbf) : Specified torque

H17586

Double Cab:



N·m (kgf·cm, ft·lbf) : Specified torque

H17587